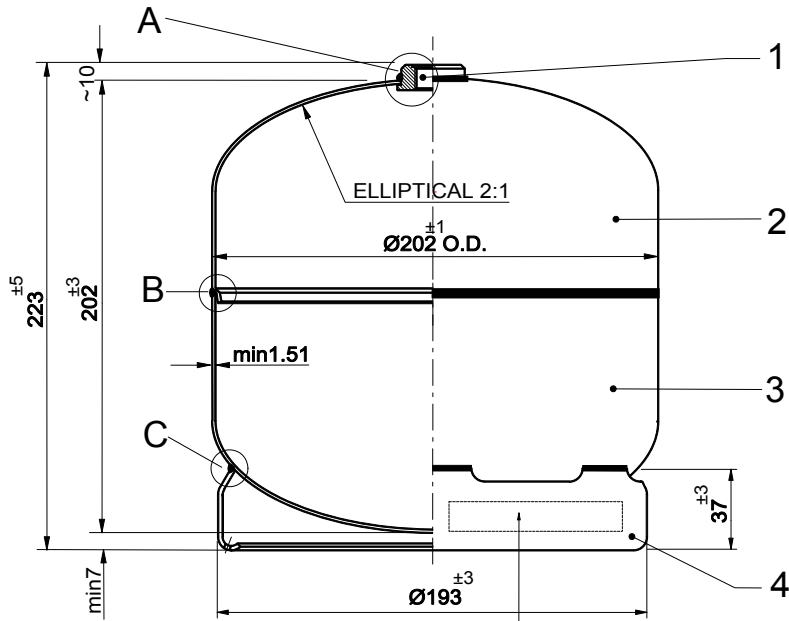
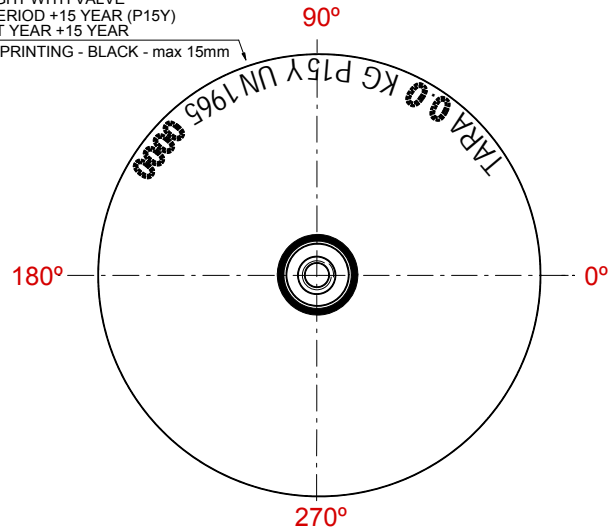


CYLINDER
SCALE : 1/1.6



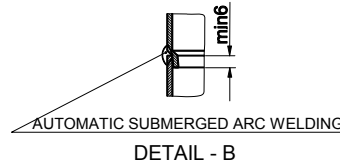
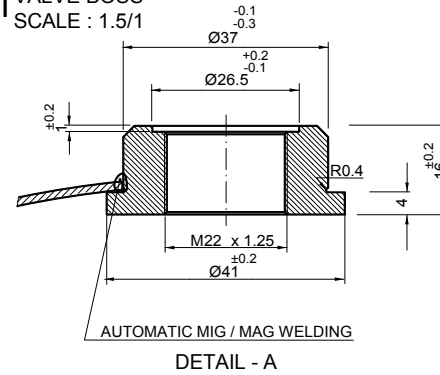
TARE WEIGHT WITH VALVE
RETEST PERIOD +15 YEAR (P15Y)
NEXT TEST YEAR +15 YEAR
BY INKJET PRINTING - BLACK - max 15mm



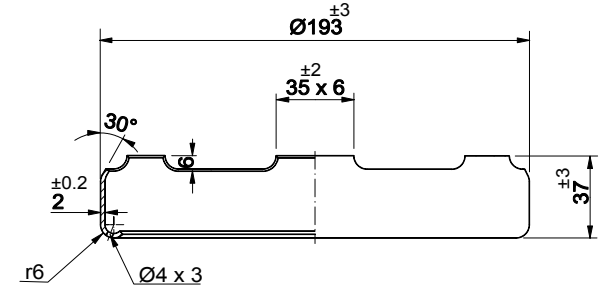
ENGRAVED MARKING ON FOOTRING
SCALE : 1/1

7 PRIMAGAS TR EVAS 6 PH 30 BAR BUTANE MIX A 2.35 KG EN 1442 N SK T 1354
 000000 0.0 KG 4.8 L UN 1965 PROPANE MIX C 2 KG 0000/00 00
 SERIAL NUMBER TARE WEIGHT WITH VALVE TEST DATE YEAR/MONTH RETEST YEAR +15 YEARS

1 VALVE BOSS
SCALE : 1.5/1



4 FOOTRING
SCALE : 1/1.6



LOGO
SCALE : 1/1

90° 180° 270°
SERIGRAPHY FRONT ADR HAZARD STICKER BACK



NOTE : ALL MEASUREMENTS ARE GIVEN IN MM.

MATERIAL DETAILS			
Parts	Material & Standard	Yield Point N/mm ²	Technical Drawing No.
4 Foot Ring	SS304 EN 10220	-	10 - 005
3 Body Lower	P265 NB	265	50 - 001
2 Body Upper	SAE 1020	-	40 - 109
1 Valve Boss			

PRODUCTION METHODS	
Directive	2010/35/EU
Standard	EN 1442 : 2017 Acc to ADR 2017
Heat Treatment	930 °C - 930 °C
Shot Blasting	SA 2.5
Zinc Coating	min 20 µm
Primer Coating	min 20 µm
Painting	Polyester Powder Paint min 30 µm
Total Coating	min 70 µm
Other Notes	

CYLINDER SPECIFICATION	
Content	LPG
Content Mass	2 KG
Volume Limits	min 4.8 L
Tare Limits	-
Test Pressure	30 BAR
Burst Pressure	67.5 BAR
Press. Pressure	-
Color (main)	RAL 6029 GREEN
Color (logo)	RAL 9003 WHITE
Color (other)	-
Valve Type	-

APPROVAL			
Drawn by	Name	Date	Sign
Drawn by	NAKSOY	18.03.17	
Controlled by	T.DEVOGLU		
Approved by	D.TEKDEMİR		

IDENTIFICATION OF THE DRAWING	
CZECH REPUBLIC / PRIMAGAS	
4.8 L LPG CYLINDER	
DRAWING NO.	CK - 4.8 - 02 - 12
MASTER DRAWING NO.	GR - 6 - 02 - 20

REVISION DETAILS			
No.	DATE	NAME	DATE
1/182	STANDARD DATE AND ADR VERSION DATE UPDATED	LOGO ADDED	TAKER
R.No			

